

Description

KWS-306 Tuya WIFI Smart Life Voltage Meter AC85-290V Current Wattmeter
Meter Electricity consumption Meter Power Energy Meter

Product selling points: 1. High definition color screen interface design: adopting a large LCD color VA display screen, bringing a different color visual experience 2. Standard guide rail slot installation design: using standard guide rail 35mm installation, no screws required, buckle fixation, easy and convenient installation 3. It has 6 power-off protection functions: over temperature protection, over/under voltage protection, over-current protection, over power protection, voltage imbalance protection, and current imbalance protection 4. Control multiple devices simultaneously with one mobile phone: supports controlling multiple devices with one mobile phone, and also supports controlling one device with multiple mobile phones 5. Suitable for different scenarios: rental housing, household use, companies, hotels, high and low power distribution cabinets, factory assembly lines, warehouses, and other fields Product parameters: Voltage range: AC 85-290V Current range: 0-80A Power range: 0-23KW Timing range: 0-999 hours (WIFI version app: 365 days) Temperature range:- 20~150°C Frequency range: 50-60Hz Power factor: 0.00-1.00PF Product size: 86.5 * 74 * 65mm Display screen size: 55 * 34mm Installation size of guide rail: 35mm Packing list: Multi function table * 1 Instruction manual * 1 NTC sensing cable * 1

Pictures



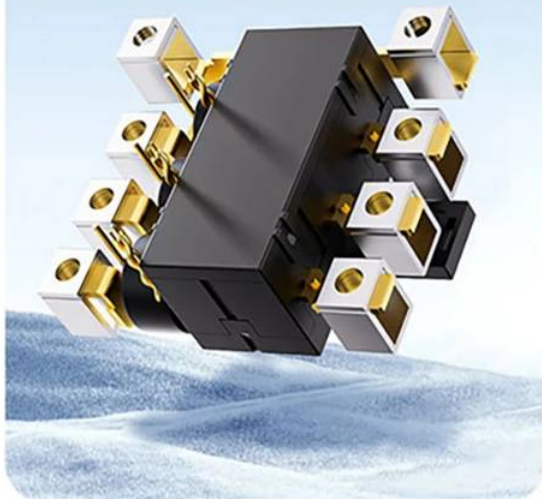
Wi-Fi

Three-phase four-wire rail meter

HD colour screen three-phase four-wire DIN rail multifunction meter



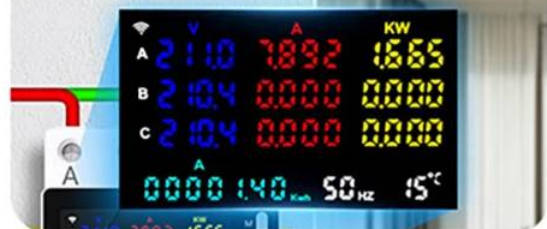
All-copper magnetic retention relay
(Static zero power consumption)



Mobile phone
remote control
unlimited distance



High-definition colour screen
interface design



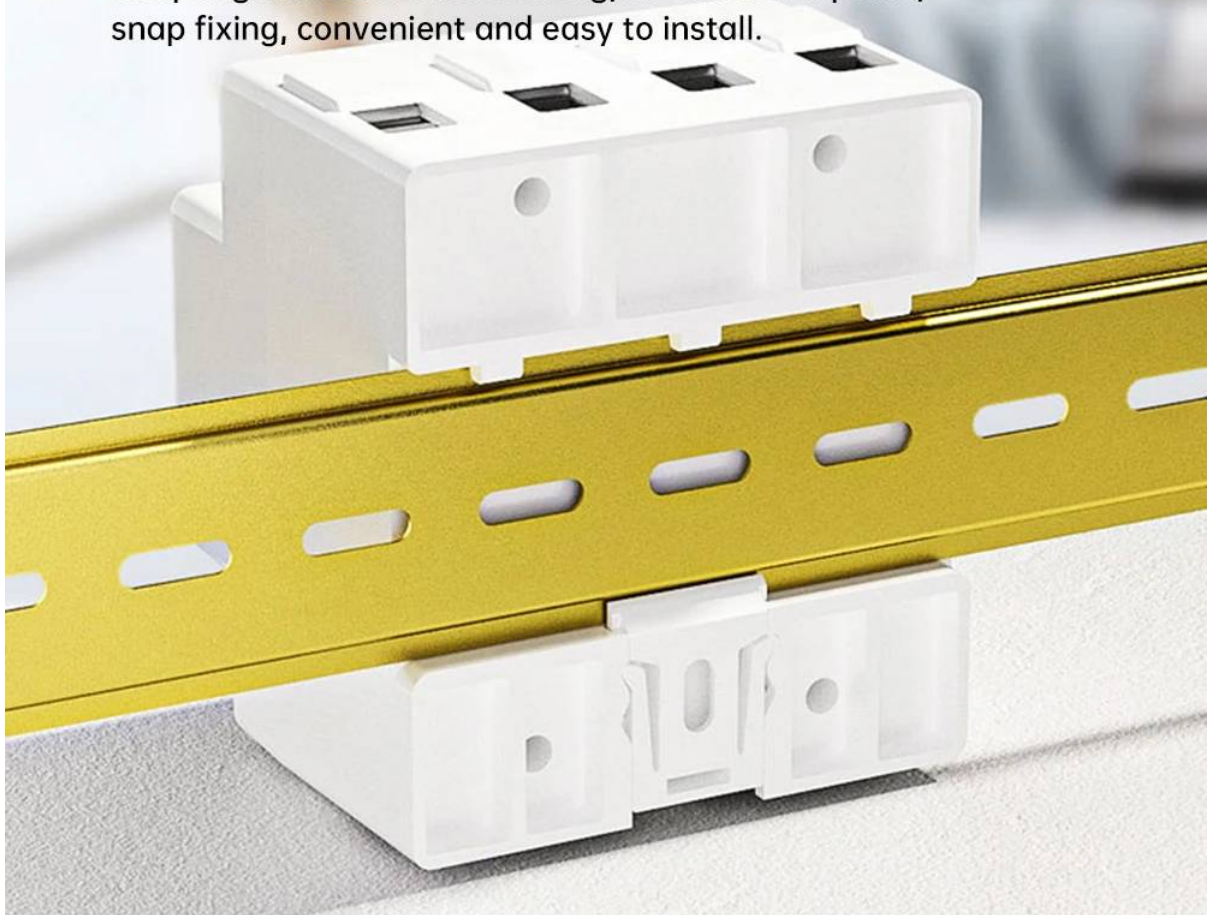
Life scene full coverage

Rental house, family home,
company, hotel, high and low
power distribution cabinet,
factory assembly line,
warehouse, exhibition cabinet
display rack, etc.



Standard rail slot Mounting design

Adopting standard rail mounting, no screws required,
snap fixing, convenient and easy to install.



All Copper Magnetic Retention Relay (Static Zero Power)

The use of static zero-power magnetically held relays has resulted in significant improvements in switching reliability and low power consumption across multiple meters, ensuring greater safety and reliability in real-world energisation applications.



Mobile phone
remote control
Unlimited distance

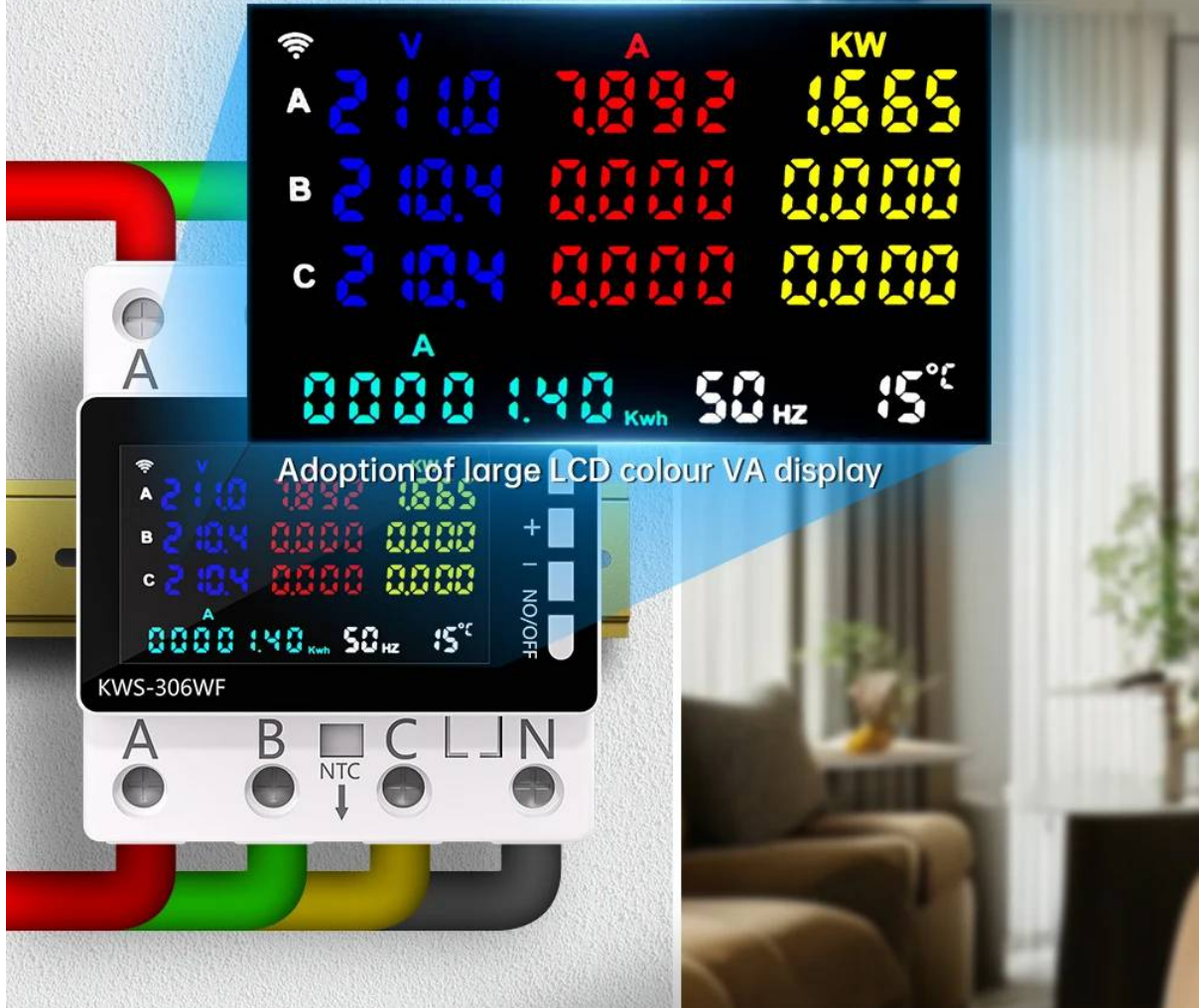


KWS-306
KWS-306
2.10 28.92 15.55
2.104 0000 0000
2.104 0000 0000
0000 140-50-15
NO/OFF

A
B
C
N/C
L
N

Battery
475
355
230

High-definition colour screen interface design





Product Parameter

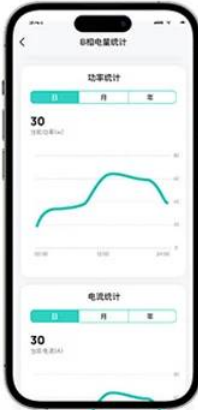
Model	KWS-306WF	KWS-306L	KWS-306
Voltage range	AC 85-290V	AC 85-290V	AC 85-290V
Current range	0-80A	0-80A	0-80A
Power range	0-23KW	0-23KW	0-23KW
Timing range	999 hours/ APP 365 days	999hours	999hours
Power range	-9999999Kwh	0-9999999Kwh	0-9999999Kwh
Temperature range	-20~150°	-20~150°	-20~150°
Frequency range	50-60HZ	50-60HZ	50-60HZ
Power factor	0.00-1.00PF	0.00-1.00PF	0.00-1.00PF
Power failure memory	Yes	Yes	Yes
Overvoltage protection	Yes	Yes	Yes
Undervoltage protection	Yes	Yes	Yes
Overcurrent protection	Yes	Yes	Yes
Over power protection	Yes	Yes	Yes
Over power protection	Yes	Yes	Yes
Voltage unbalance protection	Yes	Yes	Yes
Current unbalance protection	Yes	Yes	Yes
Over temperature protection	Yes	Yes	Yes
Timing off	Yes	Yes	Yes
Ring cycle timing	APP Support	NO	NO
Screen saver setting	Yes	Yes	Yes
Power Zeroing	Yes	Yes	Yes
Timing Zero	Yes	Yes	Yes
Curve Chart	APP side has	PC Side Yes	NO
WI-FI	Yes	NO	NO
485 Communication	NO	Yes	NO

Powerful APP function

With rich statistical functions, individual statistics of each phase (day, month and year) current, voltage, power, power curves, but also statistics of the total power power temperature curve.



Power Statistics



Power statistics



Voltage statistics



Edit Status



Timer List



Home page

Control multiple devices with one mobile phone at the same time

Supports one mobile phone to control multiple devices, and also supports multiple mobile phones to control one device; due to the limitation of details, only some of the controlled devices are shown, and more devices can also be controlled.



Applicable to different scene use

Rental house, family home, company, hotel, high and low power distribution cabinet, factory assembly line, warehouse, display cabinets and exhibition racks.





Rental Housing



Family Home



Company



Hotel

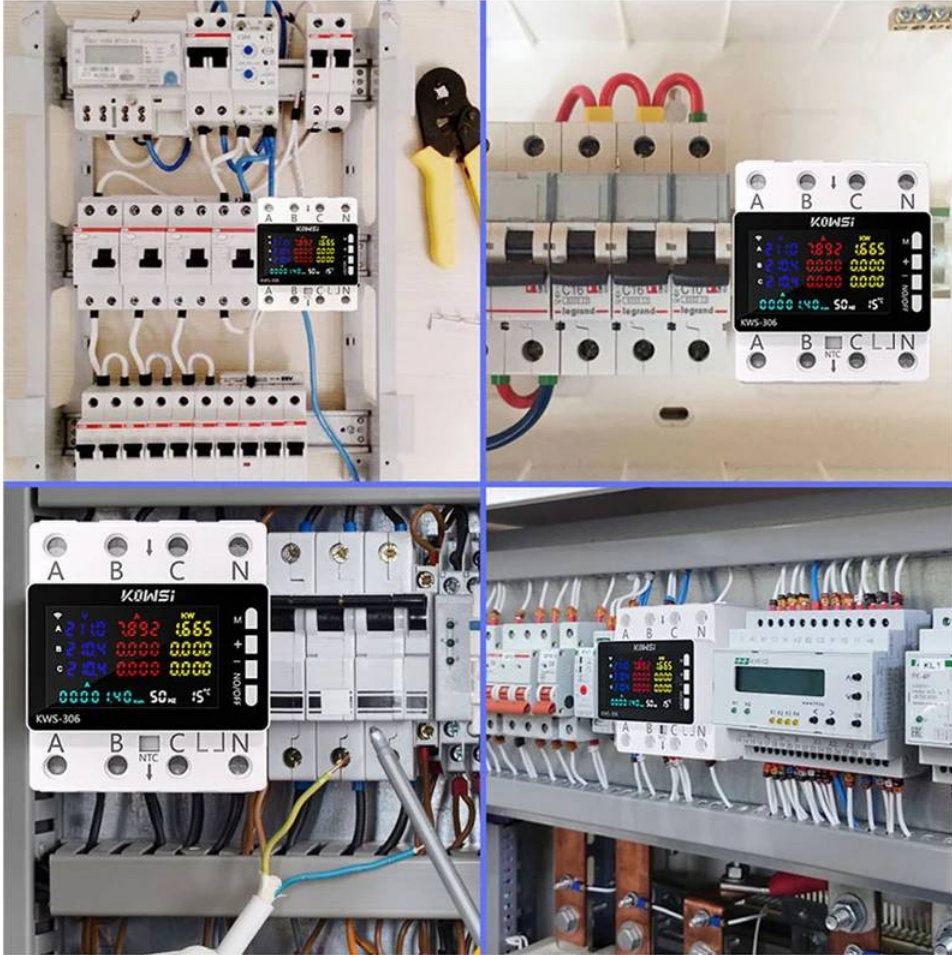


High and low power
distribution cabinet



Factory assembly line

Installation Show Drawing



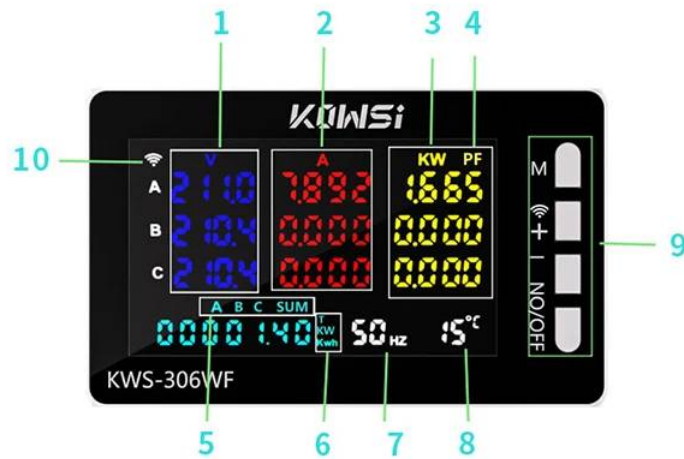
Product Size

Panel size: L74mm x W45.5mm Rail mounting size: 35mm

Display size: 55mmx34mm



Faceplate function introduction



1: A, B, C, three-phase voltage

3: A, B, C, three-phase active power

2: A, B, C, three-phase current

4: A, B, C, three-phase power factor

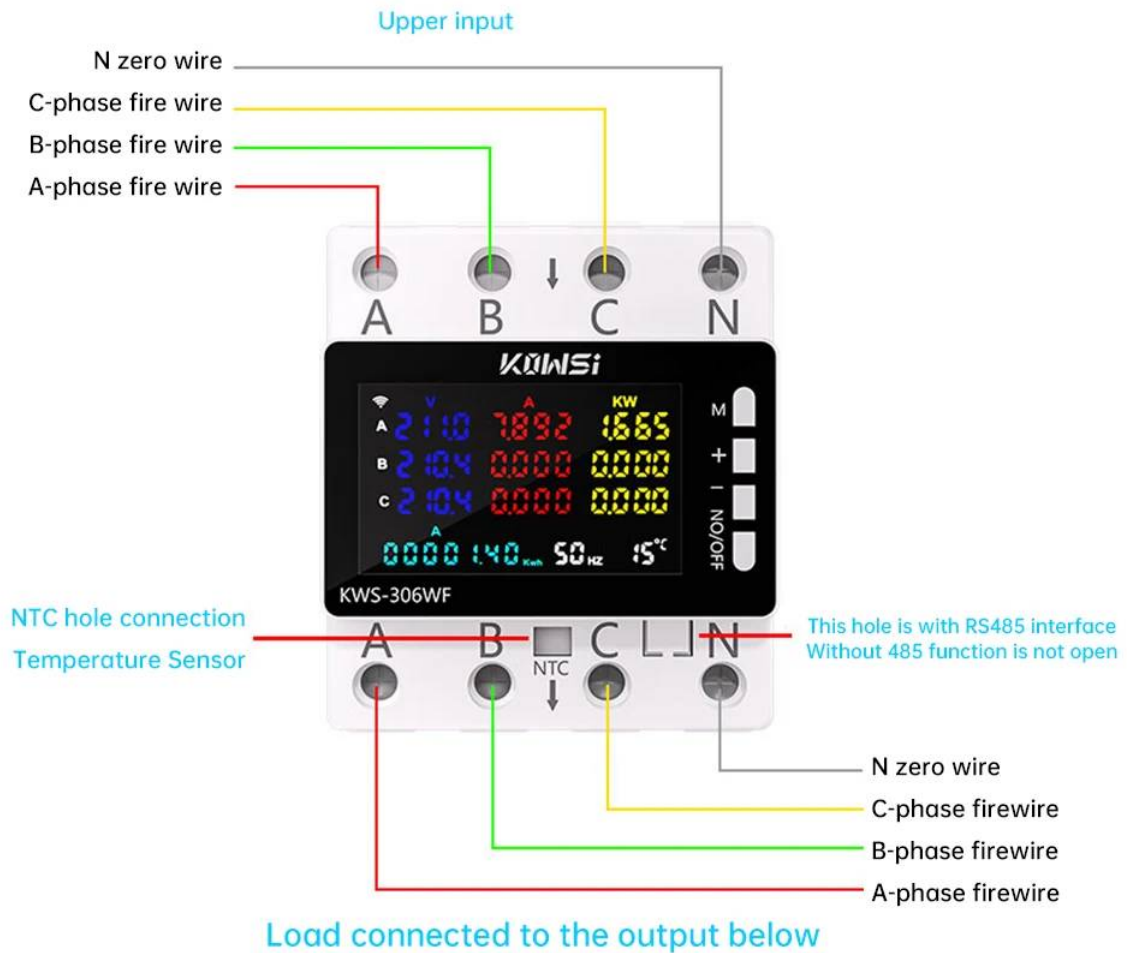
5: The - key allows you to view (A, B, C, phase power) individually.

6: Individually viewable (Timing, Total Active Power, Total Active Energy) via the - button

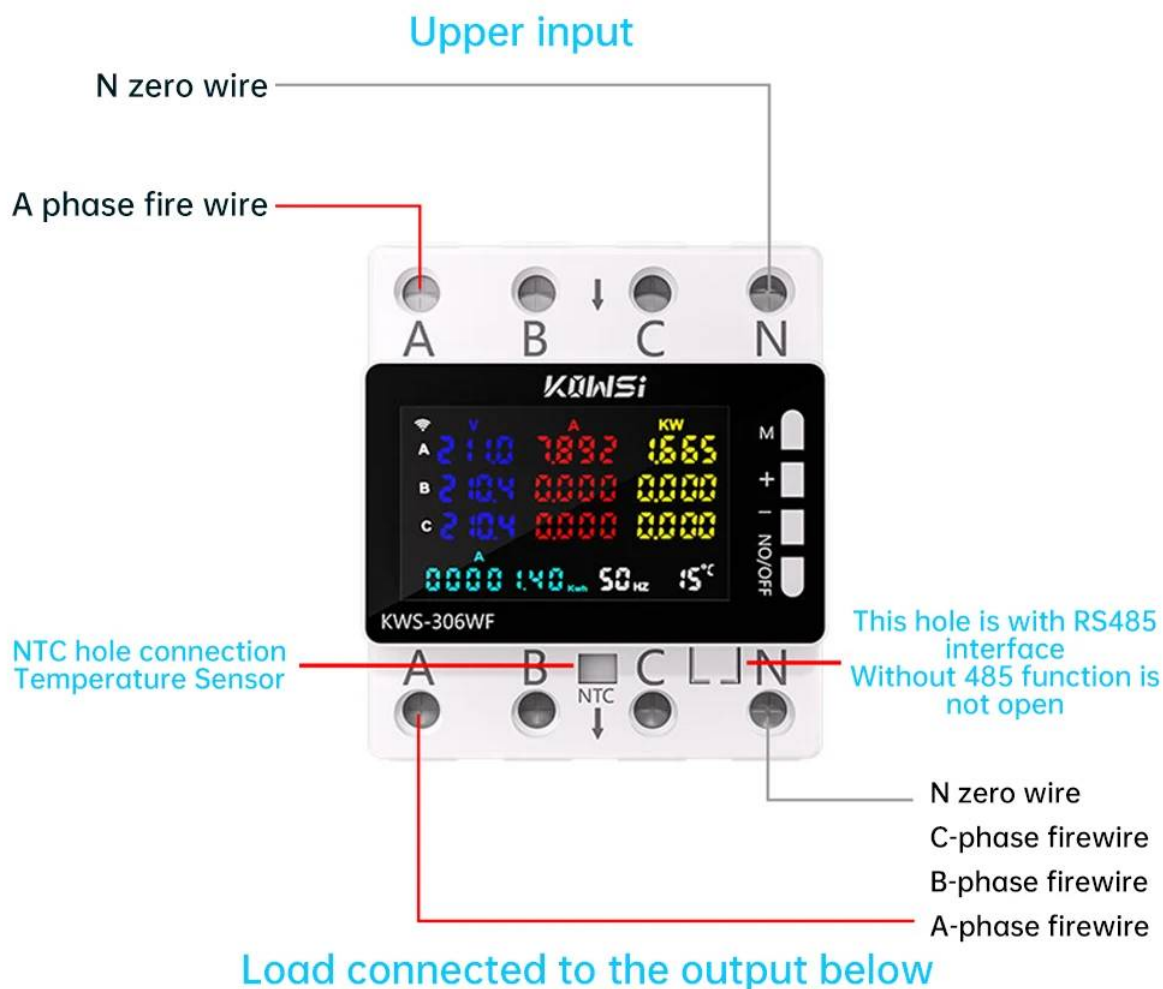
7: Frequency 8: Sensor temperature

9: Operation buttons 10: WIFI labelling (WIFI version development only)

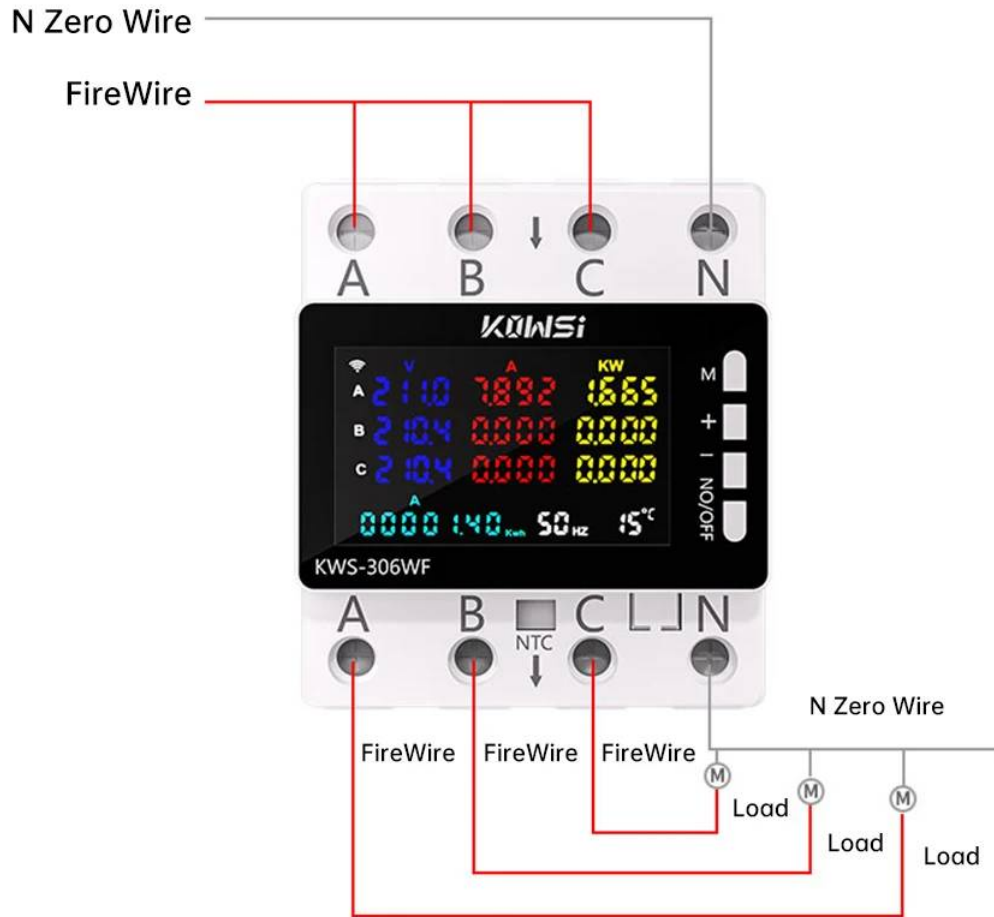
Three-phase four-wire wiring method

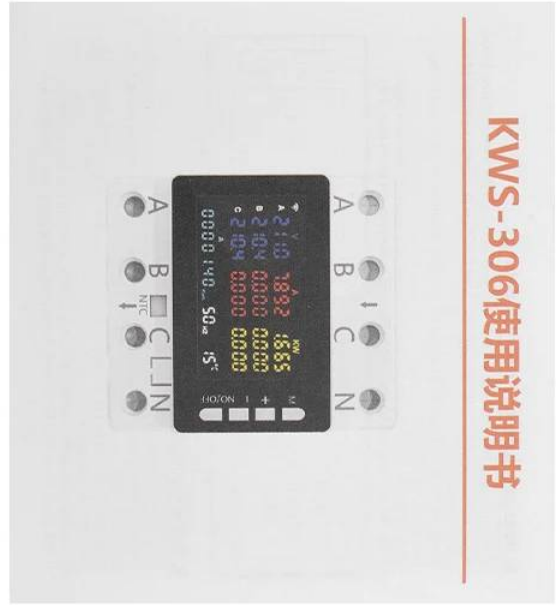


Single-phase wiring method



Single-phase wiring multi-method



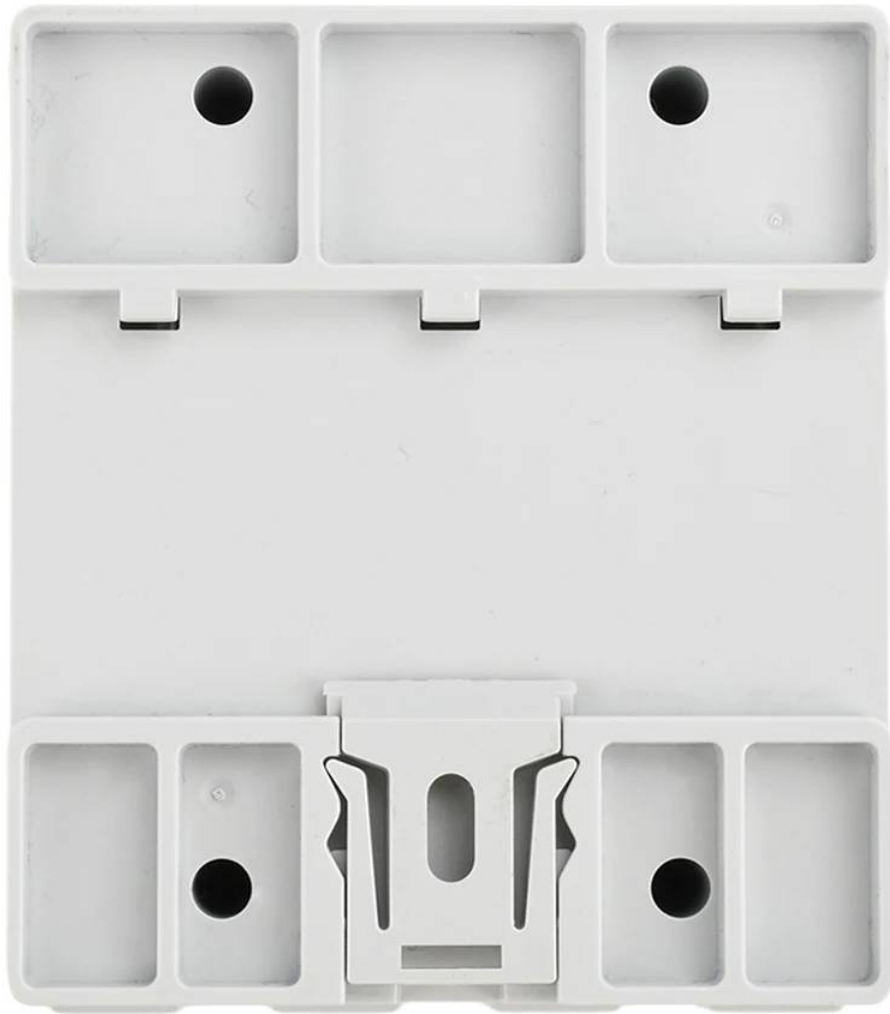


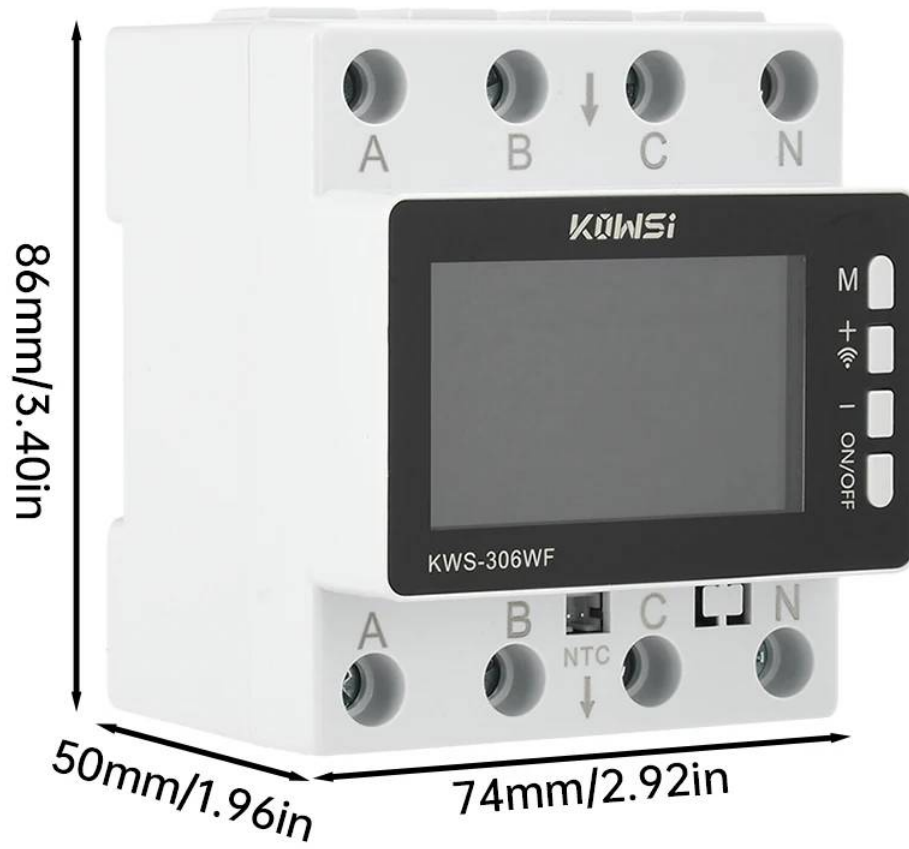
KWS-306使用说明书



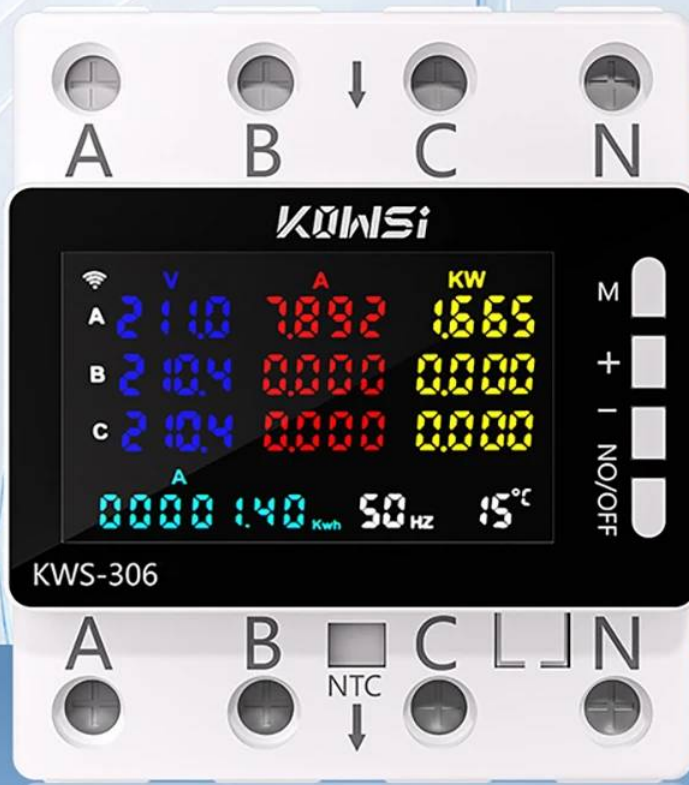








KWS-306



- Timer Off
- Over temperature protection
- Over temperature protection
- Over temperature protection
- Over-voltage protection
- Undervoltage protection
- Over-current protection
- Over power protection
- Voltage unbalance protection
- Current unbalance protection

The stand-alone version can be customised for each protection value

Three-phase four-wire rail meter

KWS-306L



- Timer Off
- Over temperature protection
- Power failure memory
- Over-voltage protection
- Undervoltage protection
- Over-current protection
- Over power protection
- Voltage unbalance protection
- Current unbalance protection

With RS485 communication connection

RS485 can be connected to multiple meters via computer

Three-phase four-wire rail meter

KWS-306WF



- Timer Off
- Over temperature protection
- Power failure memory
- Over-voltage protection
- Undervoltage protection
- Over-current protection
- Over power protection
- Voltage unbalance protection
- Current unbalance protection

WiFi

works with Tuya
已接入涂鸦

Mobile phone APP network remote control telemetry unlimited distance

Three-phase four-wire rail meter